

# MERAMEC® VOLTAGE TRANSFORMERS

NEW FROM MERAMEC - LV VTs FOR SWITCHGEAR APPLICATIONS

## MODEL VTI-460

### FEATURES AND BENEFITS

- **Every VT** is fully tested and compliant to IEEE 57.13 - Test card provided
- Meramec's industry leading **99.98% quality rating**
- We offer **ON-TIME** and **WHEN-NEEDED** delivery performance to drive down inventory needs
- **Custom-engineered** units available
- **Safety** terminal covers



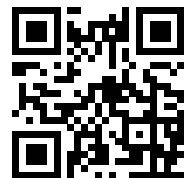
### VTI-460 General Technical Data

INSULATION CLASS	0.6kV, 10kV BIL. FULL WAVE
STANDARD SECONDARY VOLTAGE	120V
ACCURACY CLASS	0.6W, 1.2X @60Hz
RATED FREQUENCY	60Hz
THERMAL BURDEN RATING	150VA @ 30°C AMBIENT 100VA @ 55°C AMBIENT
APPROXIMATE NET WEIGHT	7.8 LBS [3.54 kg]

### PRODUCT INFORMATION

1. Core & coil assembly is housed in a plastic case and filled with a polyurethane resin compound.
2. Terminals are 10-32 brass studs with one flat and lock washer between two regular nuts, provided with a removable plastic cover.
3. These transformers are designed for line-to-line operation but may also be used line-to-ground or line-to-neutral configuration at 58% of rated voltage.
4. Also available in IEC version.

Scan the QR code or visit  
[meramecusa.com](http://meramecusa.com)  
for more information

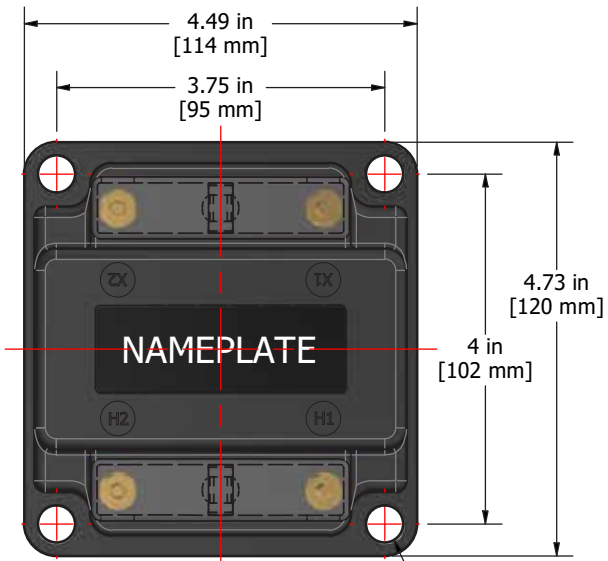


[hubbellpowersystems.com](http://hubbellpowersystems.com)

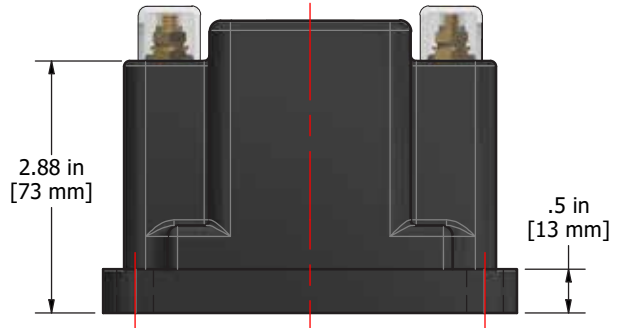
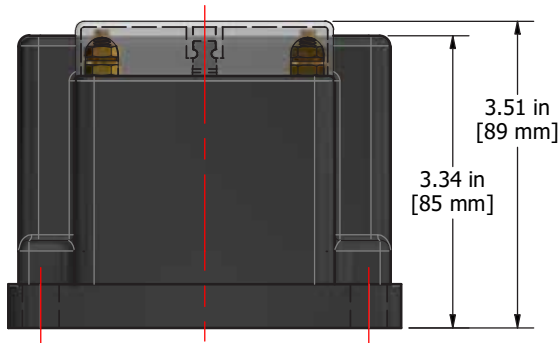


For product inquiries, please contact your local sales representative, customer service or email us at [InstrumentTransformers@hubbell.com](mailto:InstrumentTransformers@hubbell.com)

©2019 Hubbell Incorporated.  
Because Hubbell has a policy of continuous product improvement, we reserve the right to change design and specifications without notice.  
Printed in the U.S.A. | SF\_02\_047E



(4) MOUNTING HOLES 0.42 in [11 mm] DIA.



MODEL #	VOLTAGE RATING	RATIO
VTI-460-069	69.3:120	0.58:1
VTI-460-120	120:120	1:1
VTI-460-208	208:120	1.73:1
VTI-460-240	240:120	2:1
VTI-460-277	277:120	2.31:1
VTI-460-288	288:120	2.4:1
VTI-460-300	300:120	2.5:1
VTI-460-346	346:120	2.88:1
VTI-460-480	(*)480:120	4:1
VTI-460-600	(*)600:120	5:1

WITH TWO EXCEPTIONS THESE TRANSFORMERS MEET ANSI C57.13 (GROUP 1). THOSE MARKED (\*) ARE GROUP 2.

