

MERAMEC® VOLTAGE TRANSFORMERS

NEW FROM MERAMEC - LV VTS FOR INDOOR/OUTDOOR UTILITY APPLICATIONS

MODEL VTO-120

FEATURES AND BENEFITS

- **Every VT** is fully tested and compliant to IEEE 57.13 - Test card provided
- Meramec's industry leading **99.98% quality rating**
- We offer **ON-TIME** and **WHEN-NEEDED** delivery performance to drive down inventory needs
- **Custom-engineered** units available
- **Safety** terminal covers



VTO-120 General Technical Data

INSULATION CLASS	0.6kV, 10kV BIL. FULL WAVE
STANDARD SECONDARY VOLTAGE	120V
ACCURACY CLASS	0.3W, 0.6X @ 60Hz
RATED FREQUENCY	60Hz
THERMAL BURDEN RATING	300VA @ 30°C AMBIENT 200VA @ 55°C AMBIENT
APPROXIMATE NET WEIGHT	9.5 LBS [4.31 kg]

PRODUCT INFORMATION

1. Core & coil assembly is housed in a plastic case made from valox and filled with a polyurethane resin compound.
2. Terminals are 10-32 brass studs with one flat & lock washer between two regular nuts, provided with a removable & sealable plastic cover.
3. Nameplate is laser engraved aluminum, mounted on the to the transformer. Provision is made for attaching the user's identifying tag.
4. Also available in IEC version

Scan the QR code or visit
meramecusa.com
for more information

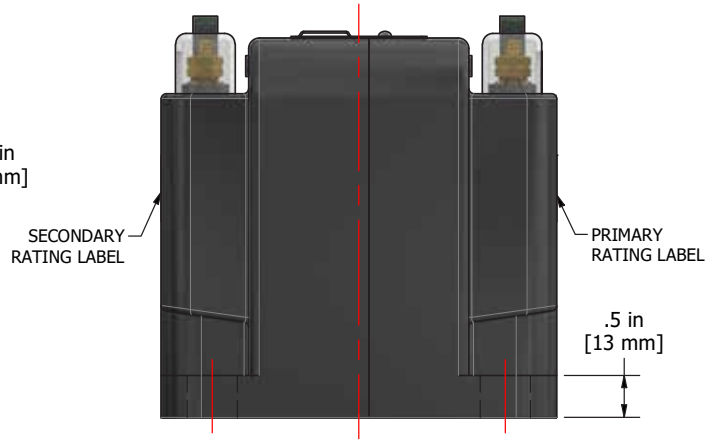
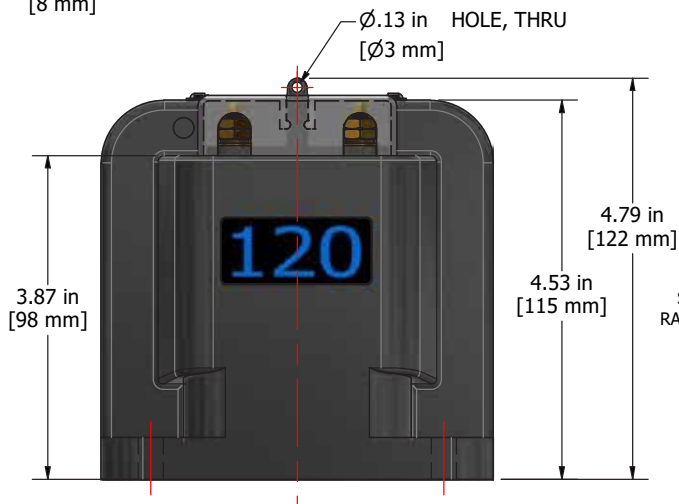
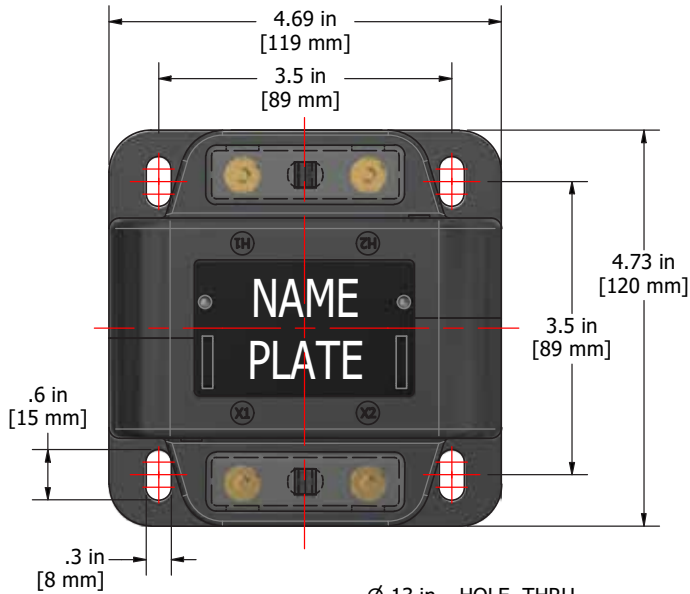


hubbelpowersystems.com



For product inquiries, please contact your local sales representative, customer service or email us at InstrumentTransformers@Hubbell.com

©2019 Hubbell Incorporated.
Because Hubbell has a policy of continuous product improvement, we reserve the right to change design and specifications without notice.
Printed in the U.S.A. | SF_02_046E



Model Information

MODEL #	VOLTAGE RATING	RATIO
VTO-120-120	120:120	1:1
VTO-120-240	240:120	2:1
VTO-120-288	288:120	2.4:1
VTO-120-300	300:120	2.5:1
VTO-120-480	480:120	4:1
VTO-120-600	600:120	5:1

