

MERAMEC[®] AUTOTRANSFORMERS

NEW FROM MERAMEC - LV AUTOTRANSFORMERS
FOR SWITCHGEAR APPLICATIONS

MODEL AVT-120

FEATURES AND BENEFITS

- **Every Autotransformer** is fully tested and compliant to IEEE 57.13 - Test Card provided
- Meramec's industry leading **99.98% quality rating**
- We offer **ON-TIME** and **WHEN-NEEDED** delivery performance to drive down inventory needs
- **Custom-engineered** units available
- **Safety** Terminal Covers

AVT-120 General Technical Data

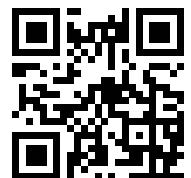
INSULATION CLASS	0.6kV, 10kV BIL.
THERMAL BURDEN RATING	150VA @ 30°C AMBIENT

PRODUCT INFORMATION

1. Construction: core & coil assembly is housed in a plastic case and filled with a polyurethane resin compound, case color: black
2. Terminals are 10-32 brass studs. With one flat and lock washer between two regular nuts, provided with a removable plastic cover.
3. Fuse clip for type 3ag fuse with 5 amp fuse.
4. Also available in IEC version.



Scan the QR code or visit
meramecusa.com
for more information

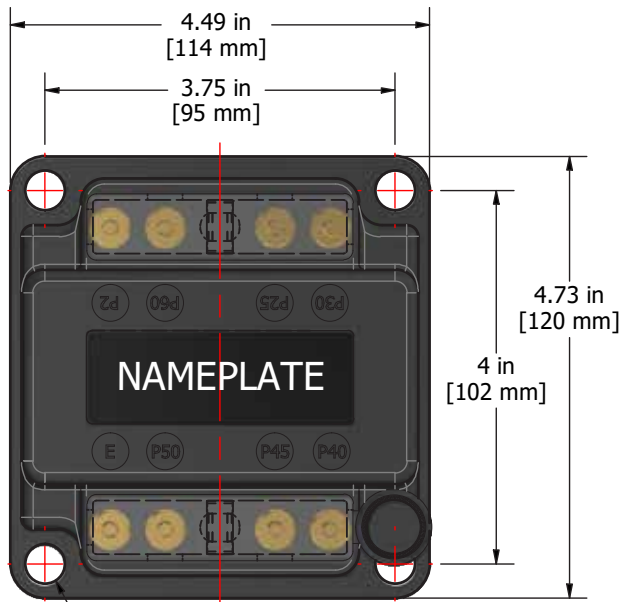


hubbellpowersystems.com

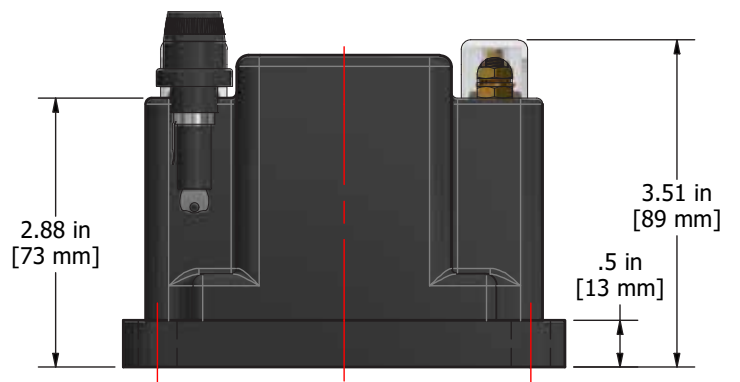
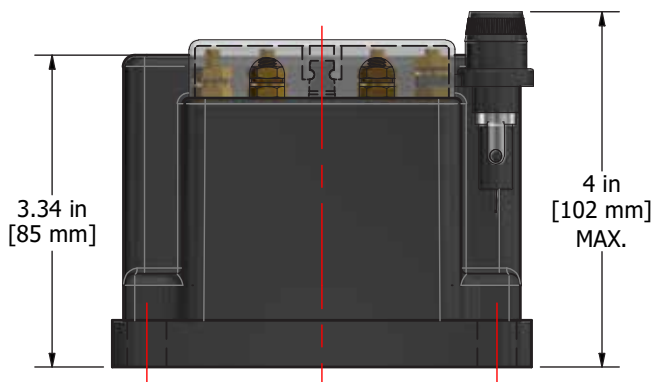


For product inquiries, please contact your local sales representative,
customer service or email us at InstrumentTransformers@hubbell.com

©2019 Hubbell Incorporated.
Because Hubbell has a policy of continuous product improvement,
we reserve the right to change design and specifications without notice.
Printed in the U.S.A. | SF_02_045E

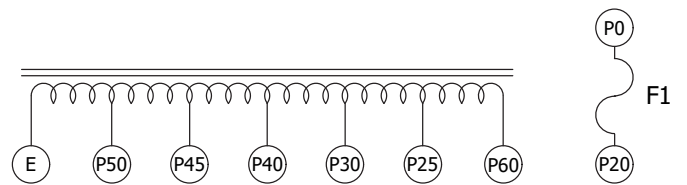


(4) MOUNTING HOLES 0.42 in [11 mm] DIA.



Voltage Taps

Vinput (V)		Voutput (V)		Voutput/Vin Tolerances
E-P50	39.4	E-P60	127.5	± 0.0152
E-P45	62.5	E-P60	127.0	± 0.0096
E-P40	68.2	E-P60	125.1	± 0.0088
E-P30	78.75	E-P60	125.7	± 0.0077
E-P25	108.2	E-P60	125.8	± 0.0056



TERMINAL DIAGRAM

